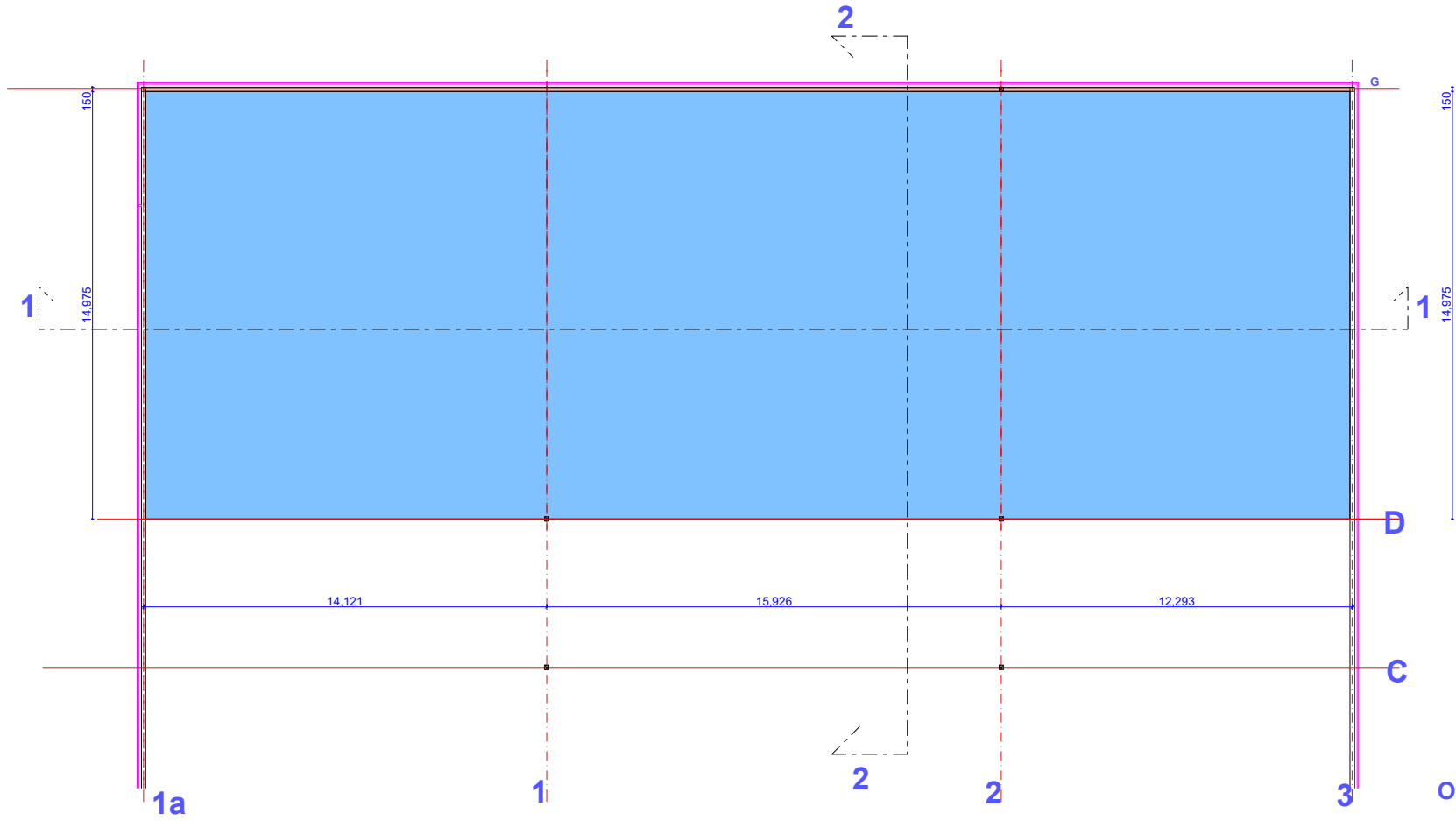
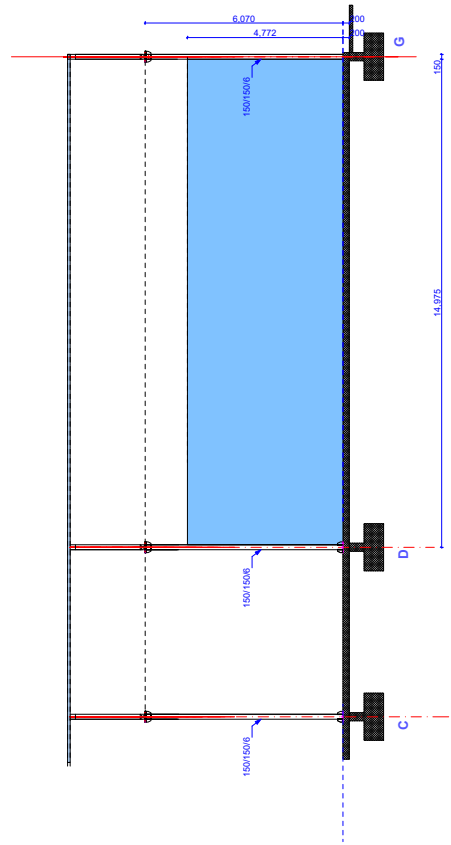
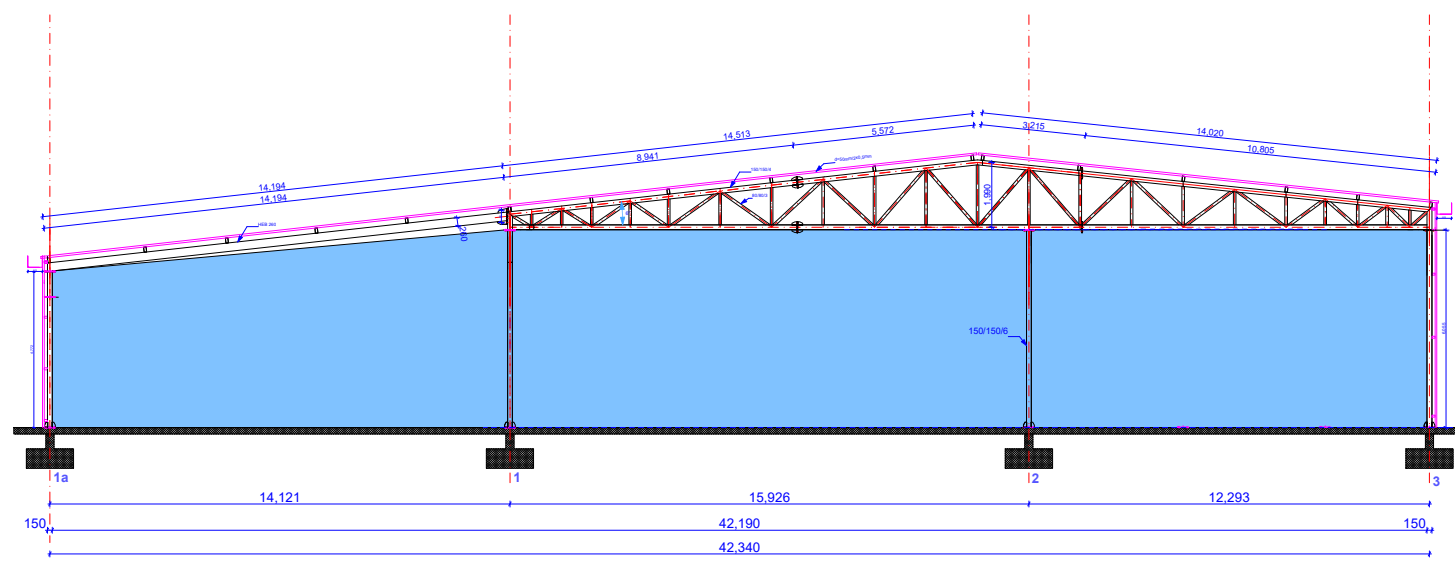


PRESJEK 2-2
SECTION 2-2



OSNOVA PRIZEMLJA
GROUND FLOOR



PRESJEK 1-1
SECTION 1-1